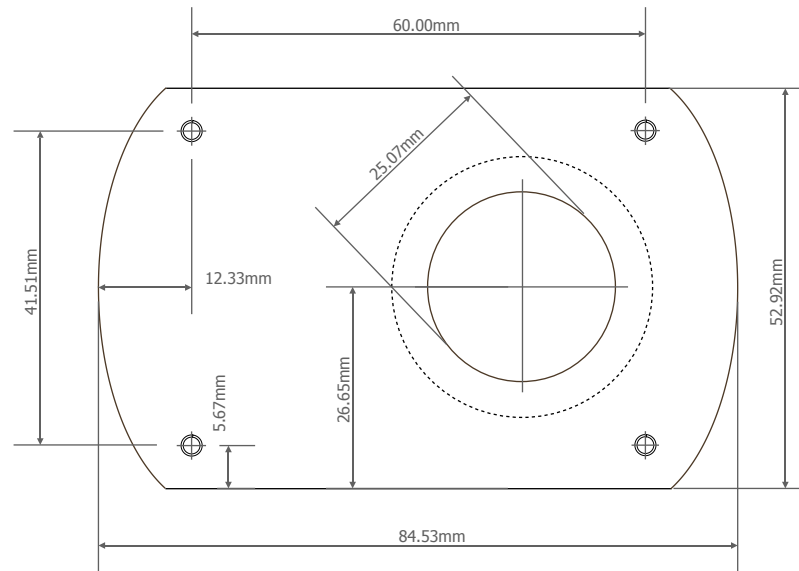


Rega RB250 (old mount) to SME adapter by audio_tony (tony@gtkc.net)

This is drawn to scale, if you print it on an A4 sheet it should be the actual size.
Just be sure to disable any printer scaling in adobe before printing.
The next page contains the same drawing, but without dimensions.



NOTE:
The actual location of the arm mounting hole will vary according to the mounting distance you choose.

I made this in 3mm aluminium plate, and mounted it to the SME adapter that was already on my Technics SL150.

I had to file some of the SME adapter away, to provide clearance for the Rega mounting nut.

You could use a 3mm x 25mm ID (35mm OD) collar / washer under the nut which would make this unnecessary.

Either way, after filing my SME adapter, there's no reason by an SME wouldn't fit still.

Rega RB250 (old mount) to SME adapter by audio_tony (tony@gtkc.net)

This is drawn to scale, if you print it on an A4 sheet it should be the actual size.
Just be sure to disable any printer scaling in adobe before printing.

